

HBrinker Mechanical Seal

Pusher seals Mechanical Seal HB75VK



WORLD SEAL
Mechanical Seals

Mechanical Seal HB75VK

Operating range

Shaft diameter: $d = 20 \dots 110 \text{ mm}$ (0.79" ... 4.33")*

Pressure: $p_1 = 40 \text{ bar}$ (580 PSI)

Temperature: $t = -40 \text{ }^\circ\text{C} \dots +220 \text{ }^\circ\text{C}$ (-40 °F ... 428 °F)

Sliding velocity: $v_g = 23 \text{ m/s}$ (75 ft/s)

Axial movement: $\pm 2.0 \dots 4.0 \text{ mm}$ depending
on diameter and installation situation

Materials

- Seal face: Carbon graphite antimony impregnated (A), Silicon carbide (Q1, Q2)
- Seat: Silicon carbide (Q1, Q2)
- Secondary seals: EPDM (E), NBR (P), FKM (V), FFKM (K)
- Springs: Hastelloy® C-4 (M)
- Metal parts: CrNiMo steel (G), Duplex (G1), Hastelloy® C-4 (M)

Features

- Dual seal
- Cartridge unit
- Design acc. to API 682 / ISO 21049
- Bi-directional design available
- Rotating multiple springs
- Integrated pumping device available
- Suitable for pressure reversals

Advantages

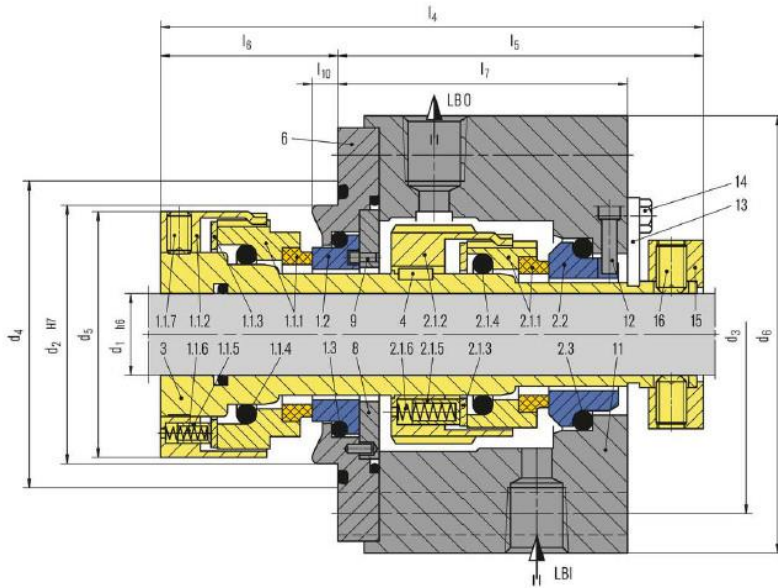
- Efficient stock keeping due to easily interchangeable faces
- Extended selection of materials
- Flexibility in torque transmissions
- Insensitive to low solids contents
- EN 12756 (For connection dimensions d_1 up to 100 mm (3.94"))

Recommended applications

- Oil and gas industry
- Refining technology
- Petrochemical industry
- Power plant technology
- Light volatile and highly viscous hydrocarbons
- API 610 / ISO 13709 pumps
- Process pumps

HBrinker Mechanical Seal

Pusher seals Mechanical Seal HB75VK



Item	Description
1.1.1,2.1.1.1	Seal face
1.1.2,2.1.2	Driver
1.1.3,2.1.3	Thrust ring
1.1.4,2.1.4,1.3,2.3	O-Ring
1.1.5,2.1.5	Sleeve
1.1.6,2.1.6	Spring
1.1.7,16	Set screw
1.2,2.2	Seat
3	Shaft sleeve
4	Key
6	Adapter
8	Washer
9	Pin
11	Housing
12	HSH cap screw
13	Assembly fixture
14	Hexagon bolt
15	Set ring

v