

HBrinker Mechanical Seal

Pusher seals Mechanical Seal HB3N



Mechanical Seal HB3N

Operating range

Shaft diameter: $d_1 = 6 \dots 80 \text{ mm}$ (0,24" ... 3,15")

Pressure: $p_1 = 10 \text{ bar}$ (145 PSI)

Temperature: $t = -20 \text{ }^\circ\text{C} \dots +140 \text{ }^\circ\text{C}$ (-4 °F ... +284 °F)

Sliding velocity: $v_g = 15 \text{ m/s}$ (50 ft/s)

Axial movement: $\pm 1.0 \text{ mm}$

Materials

- Seal face: Special cast CrMo steel (S)
- Seat G9: Carbon graphite antimony impregnated (A), Carbon graphite resin impregnated (B)

Features

- For plain shafts
- Single seal
- Unbalanced
- Rotating conical spring
- \sqrt Dependent on direction of rotation

Advantages

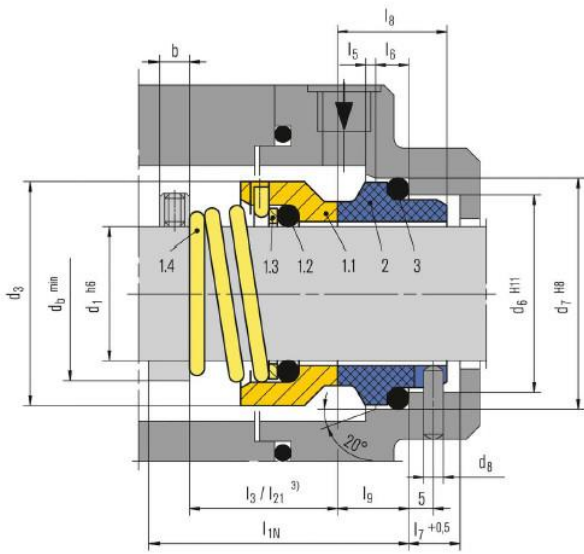
- Universal application opportunities
- Insensitive to low solids content
- No damage of the shaft by set screws
- Large choice of materials
- Short installation lengths possible (G16)
- Variants with shrink-fitted seal face available

Recommended applications

- Chemical industry
- Pulp and paper industry
- Water and waste water technology
- Building services industry
- Food and beverage industry
- Sugar industry
- Low solids content media
- Water and sewage water pumps
- Submersible pumps
- Chemical standard pumps
- Eccentric screw pumps
- Cooling water pumps
- Basic sterile applications

HBrinker Mechanical Seal

Pusher seals Mechanical Seal HB3N



Item	Part no. to DIN 24250	Description
1.1	472	Seal face
1.2	412.1	O-Ring ^v
1.3	474	Thrust ring
1.4	478	Righthand spring
1.4	479	Lefthand spring
2	475	Seat (G9)
3	412.2	O-Ring

HBrinker Mechanical Seal

Pusher seals Mechanical Seal HB3N



Dimension Table in millimeter

d ₁	d ₃	d ₆	d ₇	d ₈	d ₁₁ ¹⁾	d ₁₂ ¹⁾	d ₁₃	d _b	l _{1N}	l ₃ ³⁾	l ₅	l ₆	l ₇	l ₈	l ₉
6	14	–	–	–	11.5	16.0	16	8	–	–	–	–	–	–	–
8	18	–	–	–	15.5	19.2	18	11	–	–	–	–	–	–	–
10*	19	17	21	3	15.5	19.2	20	13	40	15.5	1.5	4	8.5	17.5	10.0
12*	21	19	23	3	17.5	21.6	22	16	40	16.0	1.5	4	8.5	17.5	10.0
14*	23	21	25	3	20.5	24.6	24	18	40	16.5	1.5	4	8.5	17.5	10.0
15	24	–	–	–	20.5	24.6	25	19	–	–	–	–	–	–	–
16*	26	23	27	3	22.0	28.0	26	21	40	18.0	1.5	4	8.5	17.5	10.0
18*	29	27	33	3	24.0	30.0	31	23	45	19.5	2.0	5	9.0	19.5	11.5
20*	31	29	35	3	29.5	35.0	34	26	45	22.0	2.0	5	9.0	19.5	11.5
22*	33	31	37	3	29.5	35.0	36	28	45	21.5	2.0	5	9.0	19.5	11.5
24*	35	33	39	3	32.0	38.0	38	30	50	23.5	2.0	5	9.0	19.5	11.5
25*	36	34	40	3	32.0	38.0	39	31	50	26.5	2.0	5	9.0	19.5	11.5
26	37	–	–	–	34.0	40.0	40	32	–	–	–	–	9.0	–	–
28*	40	37	43	3	36.0	42.0	42	35	50	26.5	2.0	5	9.0	19.5	11.5
30*	43	39	45	3	39.2	45.0	44	37	50	26.5	2.0	5	9.0	19.5	11.5
32*	46	42	48	3	42.2	48.0	46	39	55	28.5	2.0	5	9.0	19.5	11.5
33*	47	42	48	3	–	–	47	40	55	28.5	2.0	5	9.0	19.5	11.5
35*	49	44	50	3	46.2	52.0	49	43	55	28.5	2.0	5	9.0	19.5	11.5
38*	53	49	56	4	49.2	55.0	54	45	55	33.5	2.0	6	9.0	22.0	14.0
40*	56	51	58	4	52.2	58.0	56	49	55	36.0	2.0	6	9.0	22.0	14.0
42	59	–	–	–	53.3	62.0	58	52	–	–	–	–	9.0	–	–
43*	59	54	61	4	–	–	59	52	60	38.5	2.0	6	9.0	22.0	14.0
45*	61	56	63	4	55.3	64.0	61	55	60	39.5	2.0	6	9.0	22.0	14.0
48*	64	59	66	4	59.7	68.4	64	58	60	46.0	2.0	6	9.0	22.0	14.0
50*	66	62	70	4	60.8	69.3	66	61	60	45.0	2.5	6	9.0	23.0	15.0
53*	69	65	73	4	–	–	69	64	70	47.0	2.5	6	9.0	23.0	15.0
55*	71	67	75	4	66.5	75.4	71	66	70	49.0	2.5	6	9.0	23.0	15.0
58*	76	70	78	4	69.5	78.4	78	69	70	55.0	2.5	6	9.0	23.0	15.0
60*	78	72	80	4	71.5	80.4	79	71	70	55.0	2.5	6	9.0	23.0	15.0
63*	83	75	83	4	–	–	83	74	70	55.0	2.5	6	9.0	23.0	15.0
65*	84	77	85	4	76.5	85.4	85	77	80	55.0	2.5	6	9.0	23.0	15.0
68*	88	81	90	4	82.7	91.5	88	80	80	55.0	2.5	7	9.0	26.0	18.0
70*	90	83	92	4	83.0	92.0	90	83	80	57.0	2.5	7	9.0	26.0	18.0
75*	98	88	97	4	90.2	99.0	98	88	80	62.0	2.5	7	9.0	26.0	18.0
80*	100	95	105	4	95.2	104.0	103	93	90	61.8	3.0	7	9.0	26.2	18.2

HBrinker Mechanical Seal

Pusher seals Mechanical Seal HB3N

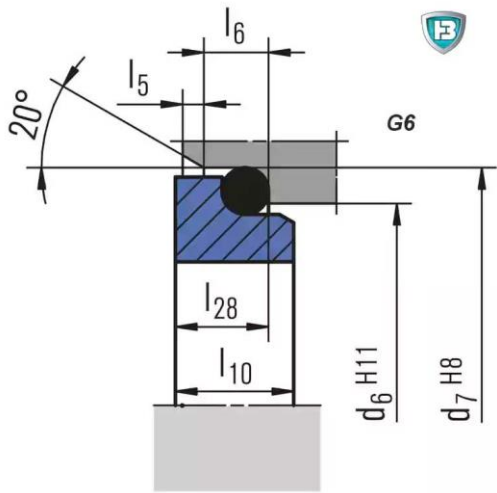


l ₁₀	l ₁₁	l ₁₂	l ₁₃	l ₁₄	l ₁₅	l ₁₆	l ₁₈	l ₁₉	l ₂₁ ³⁾	l ₂₂	l ₂₃	l ₂₈	b ²⁾	R
–	9.0	6.5	7.1	5.6	1.2	3.8	–	–	10.5	11.9	–	–	–	1.2
–	9.0	8.0	7.1	7.0	1.2	3.8	–	–	15.5	16.9	–	–	–	1.2
7.5	9.0	7.5	7.1	6.6	1.2	3.8	–	–	15.5	16.9	–	6.6	(8)	1.2
7.5	10.0	6.5	7.6	5.6	1.2	3.8	–	–	15.5	17.4	–	6.6	(8)	1.2
7.5	10.0	6.5	7.6	5.6	1.2	3.8	–	–	15.5	17.4	16.5	6.6	(8)	1.2
–	11.0	7.5	8.6	6.6	1.2	3.8	–	–	15.5	17.4	–	–	–	1.2
7.5	11.5	8.5	9.0	7.5	1.5	5.0	–	–	17.5	19.5	16.5	6.6	(8)	1.5
8.5	12.5	9.0	10.0	8.0	1.5	5.0	15	7.0	18.5	20.5	18.0	7.5	(8)	1.5
8.5	12.5	8.5	9.5	7.5	1.5	5.0	15	7.0	20.0	22.0	19.0	7.5	(8)	1.5
8.5	12.5	8.5	9.5	7.5	1.5	5.0	15	7.0	21.5	23.5	20.5	7.5	(8)	1.5
8.5	12.5	8.5	9.5	7.5	1.5	5.0	15	7.0	23.0	25.0	22.0	7.5	(8)	1.5
8.5	12.5	8.5	9.5	7.5	1.5	5.0	15	7.0	24.5	26.5	23.5	7.5	(8)	1.5
–	13.0	9.0	10.0	8.0	1.5	5.0	–	–	24.5	26.5	23.5	–	–	1.5
8.5	14.0	10.0	11.0	9.0	1.5	5.0	15	7.0	24.5	26.5	24.5	7.5	(8)	1.5
8.5	14.0	11.5	11.0	10.5	1.5	5.0	15	7.0	24.5	25.0	24.5	7.5	(8)	1.5
8.5	14.0	11.5	11.0	10.5	1.5	5.0	15	7.0	28.0	28.5	28.0	7.5	(8)	1.5
8.5	–	12.0	–	–	–	–	15	7.0	–	–	–	7.5	(8)	1.5
8.5	14.5	12.0	11.5	11.0	1.5	5.0	15	7.0	28.0	28.5	28.0	7.5	(8)	1.5
10.0	14.5	11.3	11.5	10.3	1.5	5.0	16	8.0	31.0	32.2	31.0	9.0	7,5	1.5
10.0	14.5	11.8	11.5	10.8	1.5	5.0	16	8.0	34.0	34.7	34.0	9.0	(8)	1.5
–	17.0	13.2	14.3	12.0	2.0	6.0	–	–	35.0	37.3	35.0	–	–	2.5
10.0	–	13.2	–	–	2.0	–	16	8.0	–	–	–	9.0	7,5	2.5
10.0	17.0	12.8	14.3	11.6	2.0	6.0	16	8.0	36.5	39.2	36.5	9.0	(8)	2.5
10.0	17.0	12.8	14.3	11.6	2.0	6.0	16	8.0	42.0	44.7	42.0	9.0	(8)	2.5
10.5	17.0	12.8	14.3	11.6	2.0	6.0	17	9.5	43.0	45.7	43.0	9.5	(8)	2.5
12.0	–	13.5	–	–	–	–	17	9.5	–	–	–	11.0	8,0	2.5
12.0	18.0	14.5	15.3	13.3	2.0	6.0	17	9.5	47.0	49.0	47.0	11.0	(8)	2.5
12.0	18.0	14.5	15.3	13.3	2.0	6.0	18	10.5	50.0	52.0	50.0	11.0	(8)	2.5
12.0	18.0	14.5	15.3	13.3	2.0	6.0	18	10.5	51.0	53.0	51.0	11.0	(8)	2.5
12.0	–	14.2	–	–	–	–	18	10.5	–	–	–	11.0	(8)	2.5
12.0	18.0	14.2	15.3	13.0	2.0	6.0	18	10.5	52.0	54.3	52.0	11.0	(8)	2.5
12.5	19.0	14.9	16.0	13.7	2.0	6.0	18,5	11.0	53.0	55.3	52.7	11.3	(8)	2.5
12.5	18.0	14.2	15.3	13.0	2.0	6.0	19	11.5	54.0	56.3	54.0	11.3	(10)	2.5
12.5	18.0	15.2	15.3	14.0	2.0	6.0	19	11.5	55.0	56.3	54.0	11.3	(10)	2.5
13.0	19.0	16.2	16.3	15.0	2.0	6.0	19	11.5	58.0	59.3	58.0	12.0	10.0	2.5

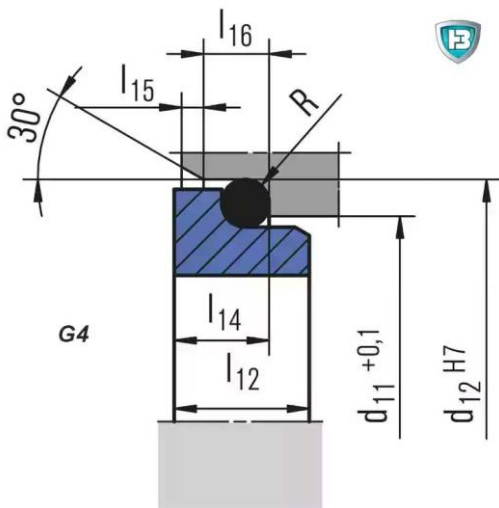
HBrinker Mechanical Seal

Pusher seals Mechanical Seal HB3N

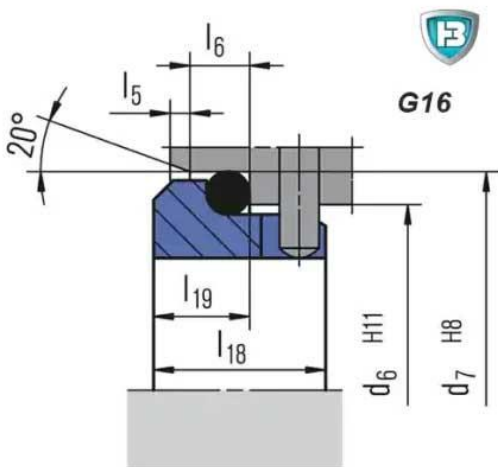
Seat alternatives



Seat G6



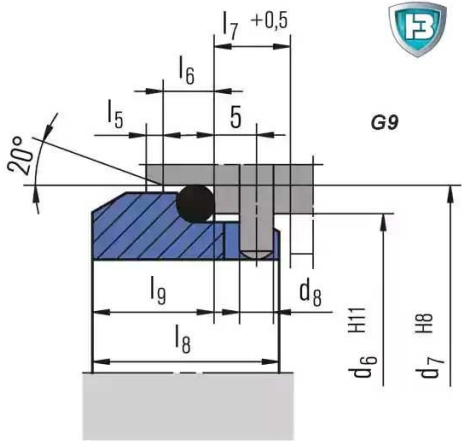
Seat G4



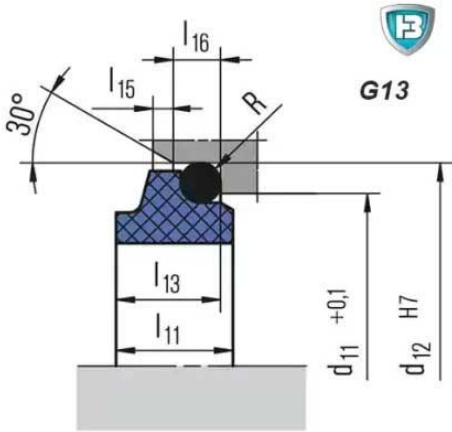
Seat G16

HBrinker Mechanical Seal

Pusher seals Mechanical Seal HB3N



Seat G9



Seat G13

v

